

# WASHaLOT 3.0

## // INSTALLATION, OPERATION & MAINTENANCE

USER'S GUIDE FOR SCHOOLS



**CHECK  
YOUR  
PACKAGE:  
WASHaLOT 3.0  
SHORT**

- One WASHaLOT 3.0
- One set of mobile legs
- Cleaning tool
- Two spare water outlets
- Four vinyl stickers for beautification
- One M10 allen key or wrench

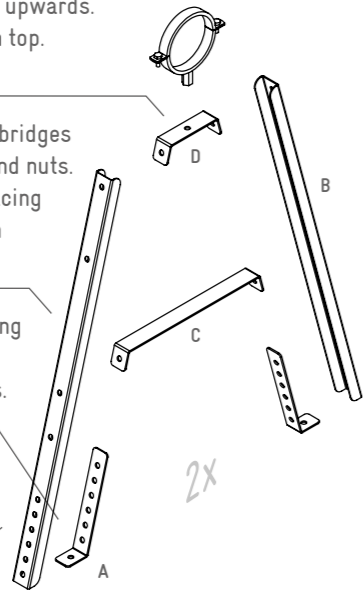
# INSTALLATION

The school community needs to be engaged in setting up and keep the WASHaLOT 3.0 functional. The parent-teacher association (PTA) should be aware of the hygiene activities in school and be involved in deciding where to place the facilities and delegating responsibilities to keep them clean and functional.

1.

## PREPARE TWO LEGS USING M10 SCREWS, M10 NUTS AND 10.5MM WASHERS.

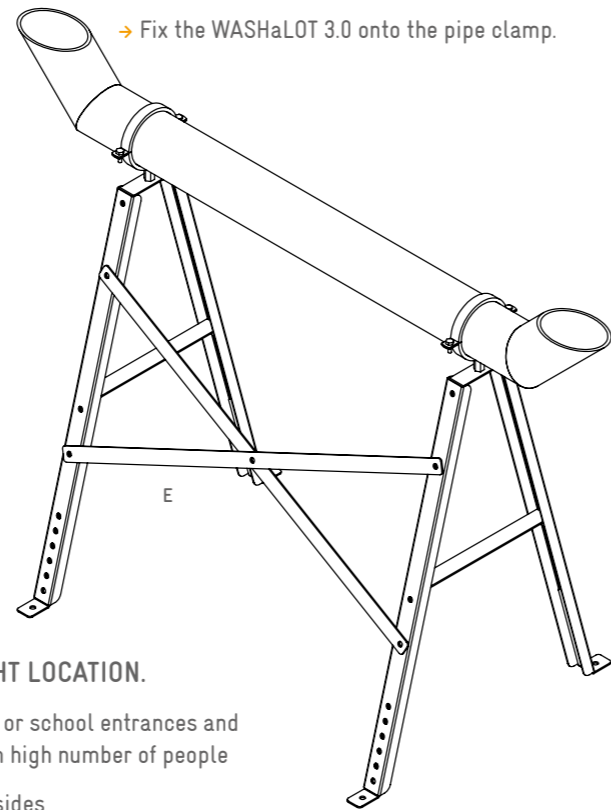
- Use 1x M10x20mm screw facing upwards. Fix it with a washer and a nut on top. Screw the pipe clamp on top.
- Join the legs, upper and middle bridges with the provided M10 screws and nuts. Ensure that the screw head is facing outwards and place a washer on the nut side when tightening.
- Attach the feet onto the legs using 2 pairs of M10 screws and nuts. The feet should extend outwards.
- The height can be adjusted by using a different hole pattern combination.



2.

## ATTACH THE CROSS BEAMS USING THE SAME M10X20MM SCREWS, NUTS AND WASHERS.

- Take the two pre-assembled legs and join them with two overlapping cross beams.
- Fix the WASHaLOT 3.0 onto the pipe clamp.



CHECKLIST FOR MOBILE LEG

No	Item	
4	feet	A
4	legs	B
2	middle bridges	C
2	upper bridges	D
2	cross beams	E
23	M10x20mm screws	
23	M10 nuts	
23	10.5mm washers	

3.

## CHOOSE THE RIGHT LOCATION.

- ✓ Near classroom or school entrances and other areas with high number of people
- ✓ Access to both sides
- ✓ Shaded area or under a roof
- ✓ Near water source
- ✓ Near proper drainage (flower bed, existing drainage, or bucket drain)

**BEAUTIFY YOUR WASHaLOT 3.0.**  
The pipe of the WASHaLOT 3.0 is made from High Density Polyethylene (HDPE) which does not hold paint well after sometime. Beautify your WASHaLOT 3.0 using vinyl stickers that comes with the package. Vinyl stickers are commonly used for car graphics and outdoor designs. Students in art classes or artsy community members can take part in beautifying the WASHaLOT 3.0 to present art and send message to their peers.

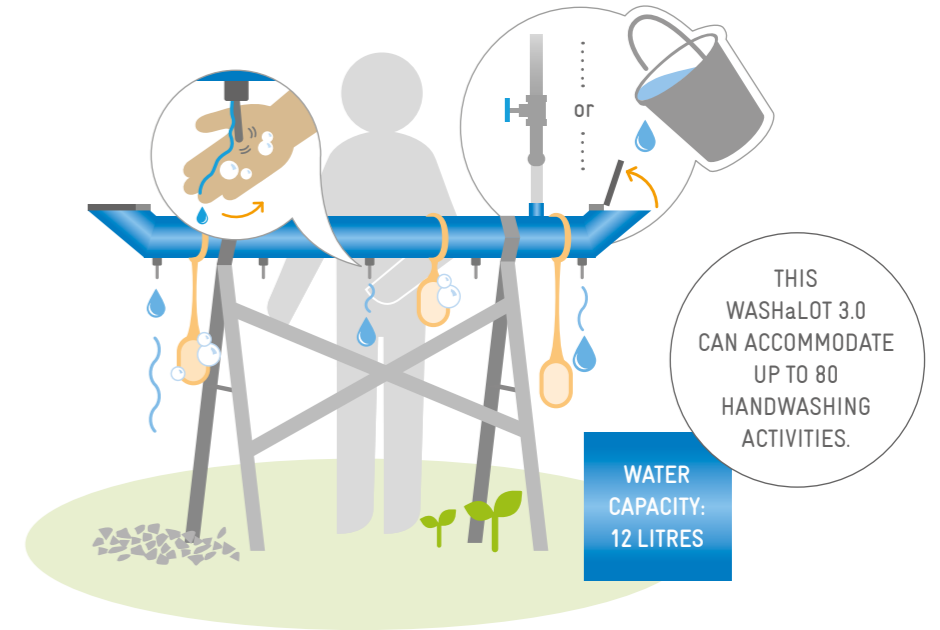
# OPERATION

## WATER

- The WASHaLOT 3.0 must be refilled every day either manually or it can be connected directly to an existing piped water system.

## SOAP

- Soap should be available at the WASHaLOT 3.0 at all times.
- Soap nets to hold soap bars or a liquid soap dispenser can be used on the WASHaLOT 3.0 and tie it to the space where possible.



# MAINTENANCE

Proper and regular maintenance of the WASHaLOT 3.0 is needed to ensure its functionality and maximize its service life. Flush out remaining water prior to the weekend to avoid stagnant water which usually causes algal accumulation. Regular cleaning at least once every month is recommended. Schedule the cleaning of the WASHaLOT 3.0 in your school before weekends or long breaks.

THE WASHaLOT 3.0 CAN EASILY BE MOVED OR STORED AS NEEDED.

CLEANING STEPS



- To clean the WASHaLOT 3.0, flush the remaining water until only a quarter of the water is left inside the pipe.



- Use the cleaning tool that comes with the WASHaLOT 3.0 to scrub off dirt inside the pipe. Alternatively, you can use a sponge attached to a flexible rod to clean.
- Insert the brush through the water inlet of the WASHaLOT 3.0.



- After brushing both ends of the WASHaLOT 3.0, flush the dirty water and rinse the pipe with clean water.

WATER IS ENOUGH TO CLEAN

## COMMON PROBLEMS & TROUBLESHOOTING

DRIPPING WATER FROM THE WATER OUTLET EVEN WHEN NOT IN USE! Dirt and silts have entered into the water outlet (lever) and it is clogged inside. Small dirt particles affect the leak-free mechanism inside the water outlet which causes the water to drip.	→ Push the lever five (5) times upwards, then at the fifth time, move the lever in a circular motion also five (5) times to drain the clog.
DIRT INTENTIONALLY THROWN INSIDE THE WASHaLOT 3.0! Due to the easy open cover, some users vandalized the WASHaLOT by throwing dirt or other things into the pipe of the WASHaLOT.	→ Clean the WASHaLOT 3.0 thoroughly and this time add commonly available detergent soap into the water. Advise users frequently not to vandalize the WASHaLOT 3.0.
LOST OR DAMAGED WATER OUTLET! Parts of the water outlets might have been removed or damaged. Always advise users to properly use the WASHaLOT 3.0 and report any technical difficulties.	→ Remove the damaged water outlet and replace with a spare provided in the package. Be sure to apply adequate teflon tape on the thread before screwing in the new water outlet.

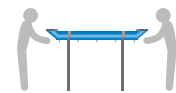


## WASHaLOT 3.0 // FEATURES

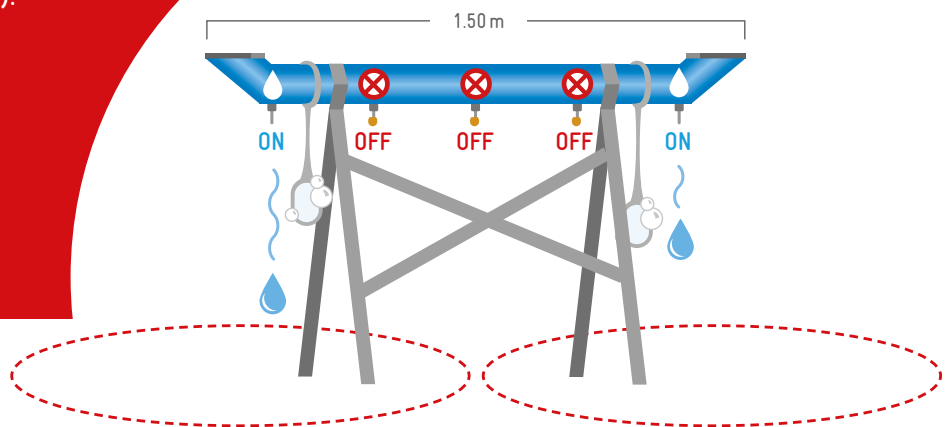
- The WASHaLOT 3.0 is a prefabricated washing system, which can be used for handwashing, toothbrushing and footwashing.
- Allows groups of users to perform hygiene activities either together or individually due to individual water outlets.
- The water outlets are designed to release water only when manually touched and thereby reduce water consumption.
- The water carrying pipe can be connected to a piped water supply or can be filled manually.
- Easy operation and maintenance due to wide openings of water inlets at both ends.
- The WASHaLOT 3.0 is available as a long and a short model. The long model accommodates up to 20 users and the short model up to 10 users at the same time.
- One pipe filling carries up to 28 litres (long) or 12 litres (short) and will accommodate respectively about 150 (long) or 80 (short) handwashing activities.

## PANDEMIC ADJUSTMENTS

- Water outlets are covered according to specifications for physical distancing (e.g. with rubber sleeves or foil).
- Stickers can indicate open and closed outlets.
- Floor markings (e.g. with paint, tape, hoops or bike tires) help for orientation and for keeping a distance.



**PANDEMIC  
RECOMMENDATION:**  
**2 PEOPLE PER  
WASHaLOT 3.0**



### Imprint

Published by:  
 Deutsche Gesellschaft für Internationale  
 Zusammenarbeit (GIZ) GmbH  
 On behalf of the German Federal Ministry  
 for Economic Cooperation and Development (BMZ)  
 Registered offices Bonn and Eschborn, Germany

Regional "Fit for School" Programme  
 10th Floor, Bank of Makati Bldg.  
 Ayala Avenue Extension cor Metropolitan Avenue  
 1209 Makati City, Philippines

Sustainable Sanitation Programme  
 Postfach 5180, 65726 Eschborn, Germany  
[www.giz.de/en](http://www.giz.de/en) // [www.fitforschool.international](http://www.fitforschool.international)

Authors: Frederick Madrid, Bella Monse, Jan-Christoph Schlenk  
 Special Advisors and Reviewers: Anna Kristina Kanathigoda,  
 Franziska Volk, Annkathrin Tempel, Louisa van den Bosch, Lena Löchte  
 Design and layout: Christine Lüdke, malzwei  
 Photos: David Weyand, Ivan Sarenas

For more Information please contact:  
 Nicole Siegmund, [nicole.siegmund@giz.de](mailto:nicole.siegmund@giz.de)  
 Arne Panesar, [arne.panesar@giz.de](mailto:arne.panesar@giz.de)

December 2020

This publication is licensed under Creative Commons:  
 Attribution – NonCommercial – NoDerivatives 4.0 International

